

Signature Series

Maximum Resilience Broadcast Audio



Signature PS1 6 Output Power Station



PS1 Front



PS1 Rear

FEATURES

Master power distribution to 6 Signature units

Provides 6 individual $\pm 12\text{VDC}$ outputs

Redundant power to 6 Signature units

Includes 6x4 pin XLR cables for powering Signature units

Power Supplies

The Signature PS1 Power Station provides a fully resilient back up power supply to your Signature Series units. It contains two switch mode power supplies, each capable of powering up to three separate Signature Series units. A pair of bright front panel LEDs indicate that each power supply is on and active. The master AC power input accepts 100-240VAC for worldwide compatibility.

Master And Back Up Power

As well as providing a backup DC supply for up to six Signature Series units, the PS1 can also act as master DC power distribution to six Signature units.

Safety Features

All outputs are individually fused so a short circuit on one will not affect any of the others.

Installation

For ease of installation and to allow quick connectivity to other Signature Series units, every Signature PS1 is shipped with 6 x 4 pin XLRDC cables, each of which is two metres long.

As the PS1 is only 336mm wide without the rack ears, it can easily be installed inside equipment racks, and fixed vertically via the flush mounting side wings. This will provide the convenience of power distribution or backup, without taking up any rack space.

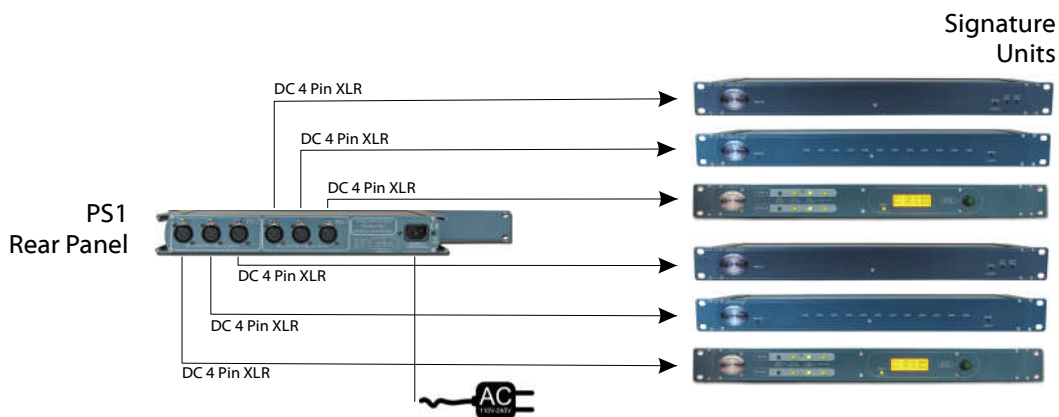
Signature Series

Maximum Resilience Broadcast Audio



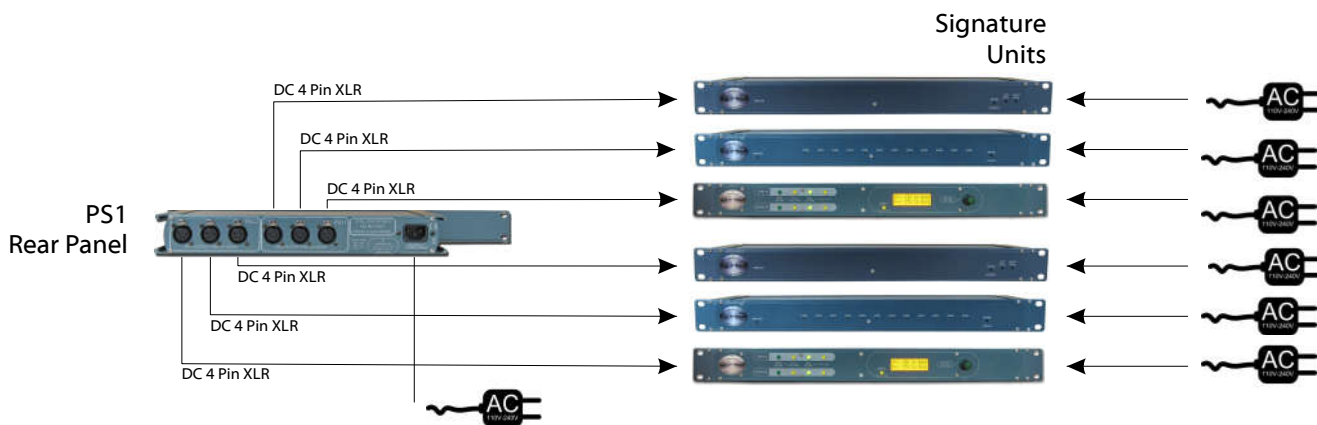
Signature PS1 Applications

MASTER DC POWER SUPPLY



The Signature PS1 Power Station can be used as the primary power source for Signature Series units. There are 6 x $\pm 12\text{VDC}$ outputs. Each of these can be connected to any single Signature Series unit, providing it with the primary power source. The PS1 must be connected to a 100-240VAC mains power supply in order to distribute DC power to the other Signature units.

REDUNDANT DC POWER SUPPLY



The Signature PS1 Power Station can be used as a redundant power supply for Signature Series units. This is very useful when the Signature units are being used for an important function, and the peace of mind of a backup supply is desirable.

Each Signature unit connects to a 100V - 240VAC supply as normal. The PS1 has 6 x $\pm 12\text{VDC}$ outputs. Each of these connects to any single Signature Series unit, providing it with the redundant power source. In the event of a failure of the AC power supply on the Signature units, the PS1 will simply take over and ensure that the unit remains operational.

Signature Series

Maximum Resilience Broadcast Audio



Signature Series Standard Features

STANDARD FEATURES

19" Rack Mount Ears



A Signature unit can rack mount in a 1U 19" rack, regardless of the size of the unit. Rack ears are included as standard with every unit.

Front Or Rear Mounting



A Signature unit can be rack mounted via the front panel or if it is more convenient, via the rear panel by simply swapping the rack ears over.

Side Wings For Flat Surface Fixing



A Signature unit has side wings with mounting holes at the top and bottom, allowing flush fixing from above OR underneath.

Neutral Colour Scheme To Complement Equipment Areas



Rack Screws Included



Modern Design



Internal Switch Mode AC Power Supply



A Signature unit has an internal switch mode AC power supply, allowing worldwide power connections from 100-240V via an IEC socket.

12V DC Power Connection



All Signature units (except PS1) have a 4 pin XLR $\pm 12V$ DC socket for connection to the PS1 Power Station. This can act as the primary or backup power source.

Quick Find Manual



A Signature unit has a QR code attached. This can be scanned to simply and quickly locate the manual and technical information.

CONTACT

Glensound
6 Brooks Place, Maidstone
Kent, UK, ME14 1HE
Tel: +44 (0)1622 753 662
Web: www.glensound.com
Email: sales@glensound.com


Glensound
Keeps Working

Signature Series

Maximum Resilience Broadcast Audio



Signature PS1

SPECIFICATIONS

POWER

Mains Input
Filtered IEC, 100 to 240VAC 47 - 63Hz
AC Consumption
10 Watts @ 230VAC
DC Output
6 off 4 Pin Neutrik XLR plug \pm 12V
DC Output Fuse
Internal polyfuse 250mA per rail per output
Internal Mains Fuse
20mm 1A Anti Surge

ENVIRONMENTAL

Operating Temperature
0 to +50 °C (32° to 122°F)
Storage Temperature
-20 to +70 °C (-4° to 158°F)
Relative Humidity
0 to 95% non-condensing

PHYSICAL

Size
336 x 123 x 44mm (LxDxH) no rack ears 482mm (19") 1RU with rack ears
Weight
0.85kg
Mechanics
All aluminium construction, anodized and laser etched
Shipping Carton
Rugged export quality cardboard carton 610 x 420 x 130mm (LxDxH)
Shipping Weight
3kg

ACCESSORIES

DC Output Cable
6 x 2 metre long cables, 4 pin XLR plug to 4 pin XLR socket included



Signature Power Station PS1

CONTACT

Glensound
6 Brooks Place, Maidstone
Kent, UK, ME14 1HE
Tel: +44 (0)1622 753 662
Web: www.glensound.com
Email: sales@glensound.com


Glensound
Keeps Working